

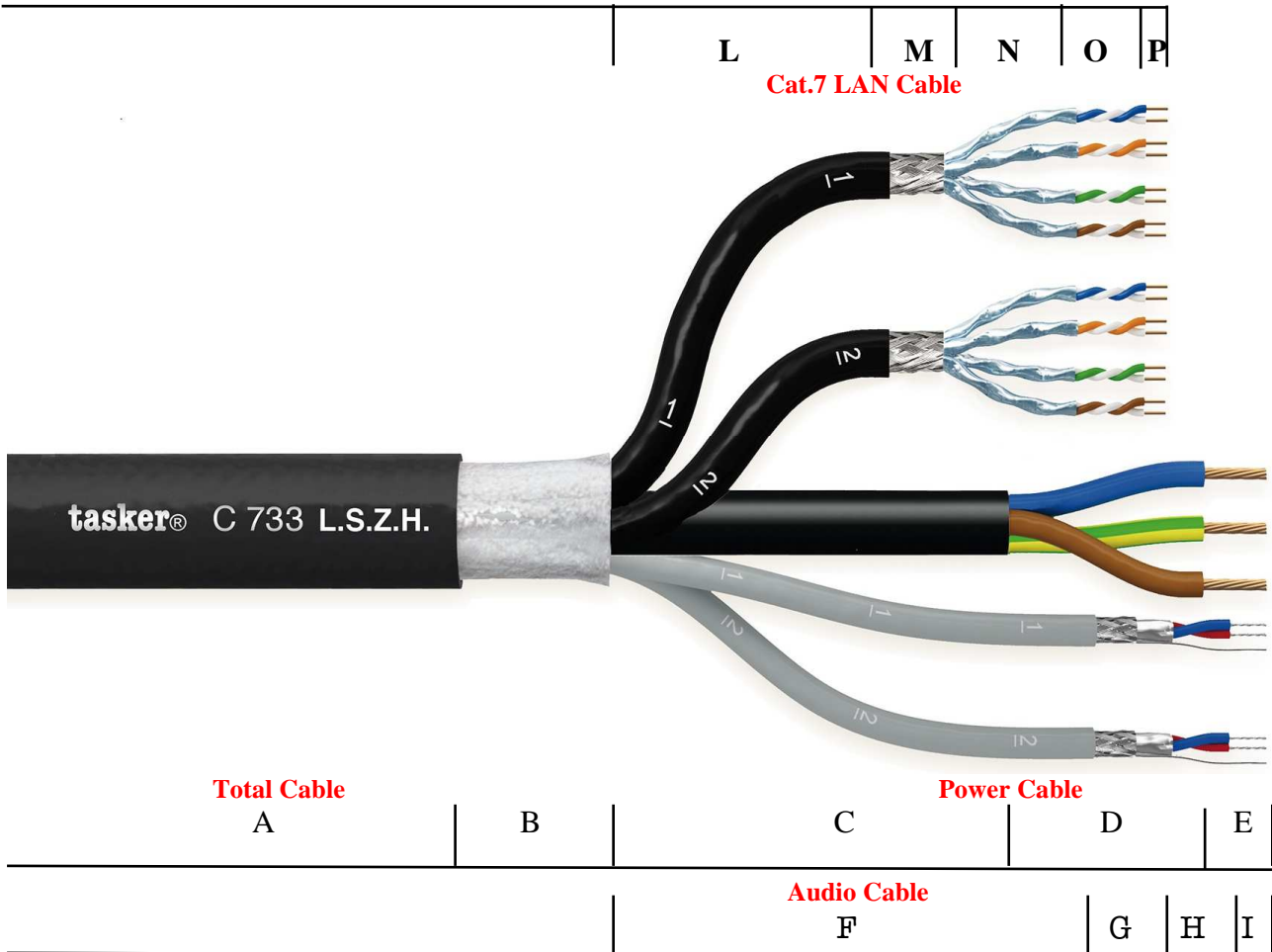
MILAN S.r.l. a socio unico

Head Office – Export department:  
 Viale Europa, 74  
 20090 Cusago (MI) Italy  
 T. +39 02 9039.4556-4158  
 F. +39 02 9039.4551  
 www.taskercables.com

Ufficio Commerciale e Centro Distribuzione  
 Viale Europa 72 Strada F12  
 20090 Cusago (MI) Italy  
 T. +39 02 9039.0037-0059  
 F. +39 02 9039.0049  
 www.tasker.it

## Technical Datasheet

### Halogen Free **tasker® C733 LSZH – Komby Cable** FirestoP® 2x Digital Audio + 2xCat.7 S./S.T.P. + 3x1,50 mm<sup>2</sup>



**CATEGORY** Komby LAN Cable (See Data Network Catalogue)  
**APPLICATIONS** Broadcast, DMX and LAN installation

- A:** Black **L.S.Z.H.** Sheath. Flame Retardant and Halogen Free.  
Outer cable Diam. Ø 18,40 (±0,20) mm.
- B:** The inner elements are stranded together with polyester based tape.

#### 3x1,50 mm<sup>2</sup> Power Conductors

- C:** Black inner **L.S.Z.H.** sheath. Fire Resistant and Halogen Free.  
Diam. Ø 7,00 (±0,20) mm.
- D:** Conductors insulation with **L.S.Z.H.** sheath.– Fire Resistant and Halogen Free.  
Colored Brown, Blue and Yellow/Green. Diam. Ø 2,30 (±0,20) mm.



MILAN S.r.l. a socio unico

**Head Office – Export department:**  
 Viale Europa, 74  
 20090 Cusago (MI) Italy  
 T. +39 02 9039.4556-4158  
 F. +39 02 9039.4551  
 www.taskercables.com

**Ufficio Commerciale e Centro Distribuzione**  
 Viale Europa 72 Strada F12  
 20090 Cusago (MI) Italy  
 T. +39 02 9039.0037-0059  
 F. +39 02 9039.0049  
 www.tasker.it

**E:** Stranded formation of 28x0,25 mm in O.F.C. Red Copper.  
 Nom. Cross section 3x1,50 mm<sup>2</sup>.

**2x(2x0,22) mm<sup>2</sup> Digital Audio**

- F:** Grey inner sheaths in **L.S.Z.H.** polymer. Fire Resistant and Halogen Free. RAL 7001- Numbered 1 and 2 - Diam. Ø 3,80 (±0,20) mm.
- G:** First shielding in O.F.C. tinned copper braid, covering 80% and second shielding with aluminum foil tape covering 100%.
- H:** Conductors insulation in Foam Skin Polypropylene, colored one Blue and one Red, are stranded to a pair. Diam. Ø 1,40 (±0,20) mm.
- I:** Stranded formation of 7x0,20 mm in O.F.C. tinned Copper  
 Nom. Cross section 2x0,22 mm<sup>2</sup>.

**2x(4x2x0,14) mm<sup>2</sup> Cat.7 S./S.T.P. LAN Cable**

- L:** Black inner sheath in **L.S.Z.H.** Fire Resistant and Halogen Free. Numbered 1 and 2. Diam. Ø 6,40 (±0,20) mm.
- M:** Total shielding with O.F.C. tinned copper braid covering 65%. The single pairs are stranded together.
- N:** The four single pair are shielded with aluminum foil tape covering 100%.
- O:** Conductors insulation in Foam Skin Polypropylene, stranded to pairs. Diam. Ø 1,00 (±0,20) mm. RJ45 compatible. Color Code: White-Blue/Blue, White-Orange/Orange, White-Green/Green, White-Brown/Brown.
- P:** Stranded formation of 7x0,16 mm in O.F.C. Red Copper  
 Nom. Cross section 4x2x0,14 mm<sup>2</sup>.

**MARKING**

**tasker**® C733 – 2 Cat. 7 S./S.T.P. + 2 Digital Audio Pair + Power – 2x(4x2x0,14) + 2x(2x0,22) + 3x1,50 mm<sup>2</sup> - O.F.C. – KOMBY CABLE – Made In Italy

**CUSTOM PRODUCTION**

This product may be custom produced also in **PVC** polymer, **PE**, **PUR**, with or without Metallic Armor.

**Digital Audio Pairs Properties**

<b>Conductors Resistance</b>	79,15 Ω/Km
<b>Pairs Capacity</b>	46,0 pF/m
<b>Impedance</b>	110 Ω

**Cat. 7 LAN Cables Properties**

<b>Max DC Conductor Resistance</b>	138 Ω/Km
<b>Capacitance at 800 Hz</b>	44pF/m
<b>Propagation Velocity at 100 MHz</b>	approx. 77%

**Other Cable Properties**

<b>Power Conductors Resistance</b>	12,50 Ω/Km
<b>Max Rated Voltage</b>	49V
<b>Operative Temperature</b>	-30/+70°C

**Cat. 7 LAN Cable Attenuation Test (dB/100 m)**

Frequency (MHz)	Max Attenuation
10	8,80
100	28,5
200	41,2
350	55,8
500	67,9
750	77,2

<b>USE</b>	<b>X</b>	Indoor	Interno Edificio	<b>INSTALLATION</b>	<b>X</b>	Fixed	Fissa	<b>INFORMATION</b>	<b>X</b>	RoHS3 Compliant
<b>Impiego</b>	<b>X</b>	Outdoor Limited	Esterno Limitato	<b>Posa</b>	<b>X</b>	Restricted Mobile	Mobile Limitata	<b>Informazioni</b>	<b>X</b>	Ver. B / 30.04.19
		Outdoor	Esterno			Mobile	Mobile			
		Outdoor Direct Burial	Esterno Interrato			Mobile in Drag Chain	Mobile in Catena			